

# Model FD-150X Series

## Static Rated Fire Dampers with Sleeve 1½ hour Fire Resistance Rating

### Application

Model FD-150X series are approved for use in walls, floors, and partitions with fire resistance ratings less than 3 hours. This model carries a 1½ hour UL fire damper label. UL 555 classifies static rated fire dampers for use in HVAC systems that are automatically shut down in the event of a fire.

### Ratings

#### UL555 Fire Resistance Rating

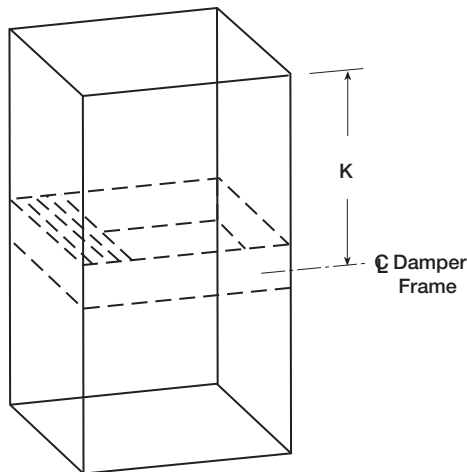
Fire Rating: 1½ hours

Construction	Standard	Optional
Frame Material	Galvanized Steel*	-
Frame Depth	3 11/16 in. (94mm)	-
Blade Material	Galvanized steel*	-
Closure Spring	Stainless Steel	-
Fusible Link	165°F (74°C)	212°F (100°C)
Mounting	Vertical	Horizontal

\* in gauges required by UL listing R-13317

### Options

- POC retaining angles
- Transitions (A, B)



**Note:** Horizontal dampers must be installed with the “K” dimension on the top side as shown (per UL test: see label on damper). Horizontal dampers must have the access door installed on the top side to facilitate re-opening of the blades should the link melt.

Model FD-150X meets the requirements for fire dampers established by:

#### National Fire Protection Association

NFPA Standards 80, 90A, & 101

#### International Building Codes (IBC)

New York City (MEA listing #260-91-M)

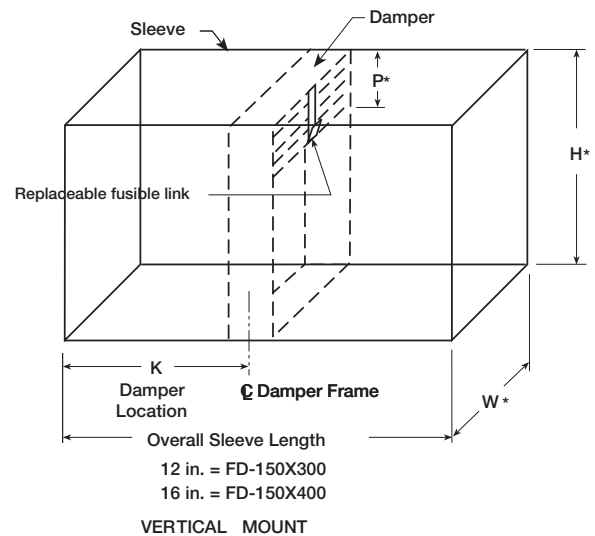
#### California State Fire Marshal

Listing #3225-981:102

“UL Classified (see complete marking on product)”

“UL Classified to Canadian Safety Standards (see complete marking on product)”

Standard 555 (Listing #R13317)



\* These dimension are furnished approximately 1/4 in. (6mm) undersize.

# FD-150X Type A & B

FD-150X series are normally supplied as single section only.

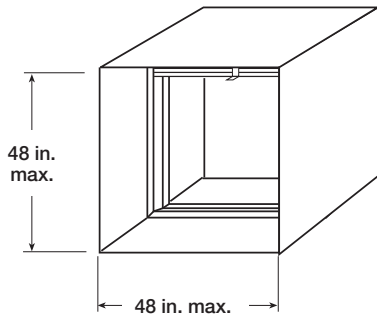
The following chart and illustrations show minimum and maximum damper section size and assembly configurations for multi-section dampers.

## Size Limitations

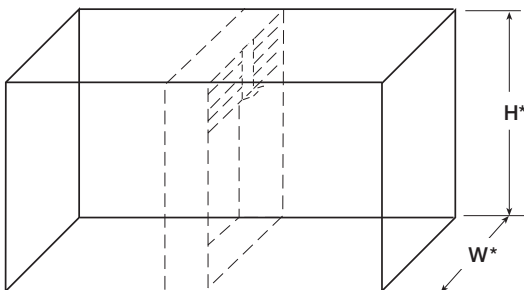
	Type A	Type B
Inches (mm)	Vertical or Horizontal	
	Single Section	
Minimum	6 x 6 (152 x 152)	6 x 4 (152 x 102)
Maximum	48 x 48 (1219 x 1219)	48 x 42 (1219 x 1067)

Installation of sizes larger than the maximum shown requires approval of the authority having jurisdiction.

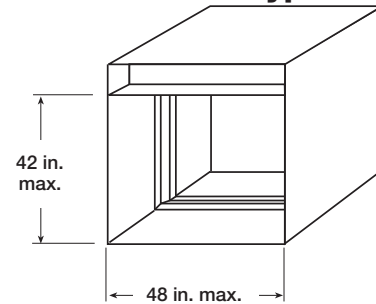
## Maximum Single Section Dimensions Type A



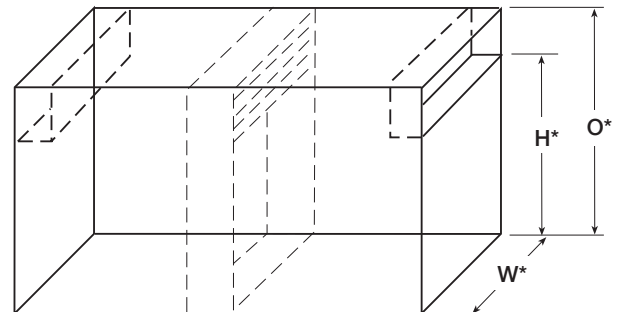
## Type A



## Maximum Single Section Dimensions Type B



## Type B



## Type B Overall Damper Dimensions

H*	O*	H*	O*
3 (76)	5 (127)	23 (584)	27 (686)
4 (102)	6 (152)	24 (610)	28 (711)
5 (127)	7 (178)	25 (635)	29 (737)
6 (152)	8 (203)	26 (660)	30 (762)
7 (178)	9 (229)	27 (686)	31 (787)
8 (203)	10 (254)	28 (711)	32 (813)
9 (229)	11 (279)	29 (737)	33 (838)
10 (254)	12 (305)	30 (762)	34 (864)
11 (279)	13 (330)	31 (787)	36 (914)
12 (305)	14 (356)	32 (813)	37 (940)
13 (330)	15 (381)	33 (838)	38 (965)
14 (356)	16 (406)	34 (864)	39 (991)
15 (381)	18 (457)	35 (889)	40 (1016)
16 (406)	19 (483)	36 (914)	41 (1041)
17 (432)	20 (508)	37 (940)	42 (1067)
18 (457)	21 (533)	38 (965)	44 (1118)
19 (483)	22 (559)	39 (991)	45 (1143)
20 (508)	23 (584)	40 (1016)	46 (1168)
21 (533)	24 (610)	41 (1041)	47 (1194)
22 (559)	26 (660)	42 (1067)	48 (1219)

\* Dimensions are in inches (mm). These dimensions are furnished approximately 1/4 in. (6mm) undersize.



Greenheck India: 541/542, 5th Floor, Tower-B3 Space • Tech Park Sector-49, Sohna Road, Gurgaon • www.greenheck.co.in  
Tel: 124-4272494 • Fax: 011-91-124-4711263

Copyright © 2015 Greenheck Corporation  
FD-150X series Rev. 13 January 2015