

DFD-150X series

Dynamic Rated FIRE DAMPERS with Sleeve

1 1/2 Hour Fire Resistance Rating

APPLICATION

Model DFD-150X is approved for use in walls, floors and partitions with fire resistance ratings less than 3 hours. This model carries a 1 1/2 hour UL fire damper label. UL 555 classifies dynamic rated fire dampers for use in HVAC systems that are operational in the event of fire.

RATINGS

UL555 Fire Resistance Rating

Fire Rating: 1 1/2 hours

Dynamic closure rating

Maximum Velocity: 4000 fpm (20.3 m/s) up to 24 in. x 24 in.
(610mm x 610mm) 2000 fpm (10.2 m/s) above
24 in. x 24 in. (610mm x 610mm)

Maximum Pressure: 4 in. wg (1 kPa)

Model DFD-150X meets the requirements for fire dampers established by:

National Fire Protection Association
(NFPA Standards 80, 90A & 101)

IBC International Building Code

New York City (MEA listing #260-91-M)

California State Fire Marshall

(Listing #3225-981:102 for use in walls)

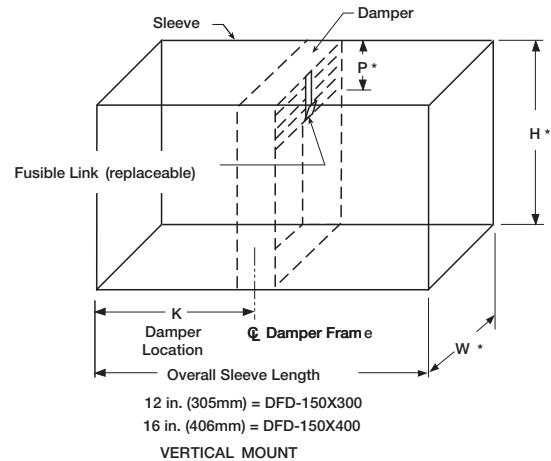
“UL CLASSIFIED (see complete marking on product)”

“UL CLASSIFIED to Canadian safety standards (see complete marking on product)”

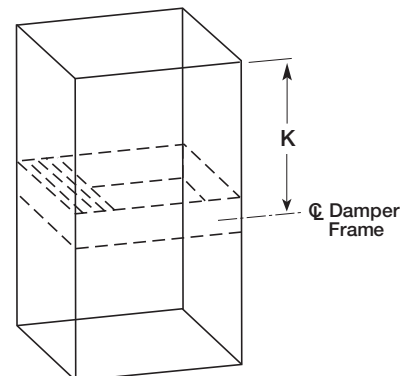
Standard 555 (Listing #R13317)

| Construction | Standard | Optional |
|-----------------------|-------------------|---------------|
| Frame Material | Galvanized Steel* | - |
| Blade Material | Galvanized Steel* | - |
| Closure Spring | Stainless Steel | - |
| Fusible Link | 165°F (74°C) | 212°F (100°C) |
| Mounting | Vertical | Horizontal |

* in gauges required by UL listing R-13317



*These dimensions are furnished approximately 1/4 in. (6mm) undersize.



HORIZONTAL MOUNT

OPTIONAL FEATURES

- One piece retaining angles (POC)
- Transitions (A, B)
- Steel stud connection

DFD-150X Type A & B

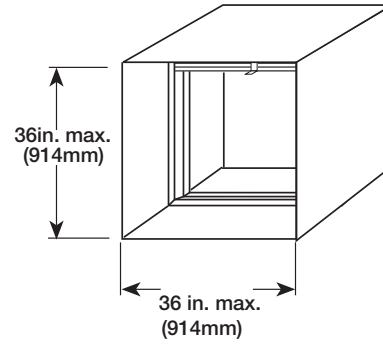
The following chart and illustrations show minimum and maximum damper section size.

SIZE LIMITATIONS

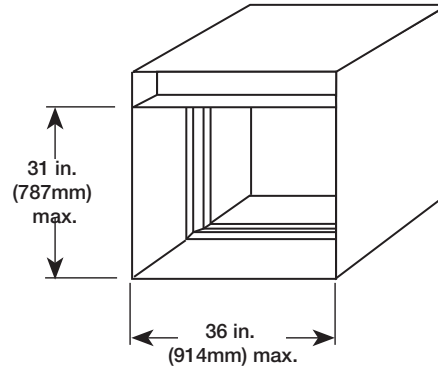
| Inches (mm) | Type A | | Type B | |
|---------------------------|----------------------|------------------------|----------------------|------------------------|
| | minimum | maximum | minimum | maximum |
| Single Section Vertical | 6 x 6 (152 x 152) | 36 x 36 (914 x 914) | 6 x 4 (152 x 102) | 36 x 31 (914 x 787) |
| Single Section Horizontal | 6 x 6 (152 x 152) | 30 x 30 (762 x 762) | 6 x 4 (152 x 102) | 30 x 26 (762 x 660) |

Installation of sizes larger than the maximums shown requires approval of the authority having jurisdiction.

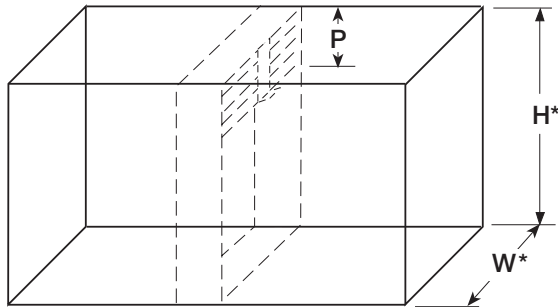
Type A Maximum Single Section Dimensions



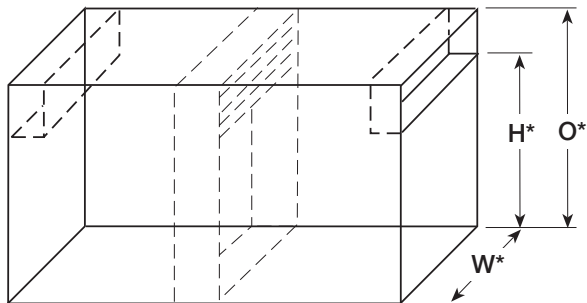
Type B Maximum Single Section Dimensions



Type A



Type B Overall Damper Dimensions



Vertical Mount

| H* | O* | H* | O* |
|----------|----------|----------|----------|
| 3 (76) | 5 (127) | 18 (457) | 21 (533) |
| 4 (102) | 6 (152) | 19 (483) | 22 (559) |
| 5 (127) | 7 (178) | 20 (508) | 23 (584) |
| 6 (152) | 8 (203) | 21 (533) | 24 (610) |
| 7 (178) | 9 (229) | 22 (559) | 26 (660) |
| 8 (203) | 10 (254) | 23 (584) | 27 (686) |
| 9 (229) | 11 (279) | 24 (610) | 28 (711) |
| 10 (254) | 12 (305) | 25 (635) | 29 (737) |
| 11 (279) | 13 (330) | 26 (660) | 30 (762) |
| 12 (305) | 14 (356) | 27 (686) | 31 (787) |
| 13 (330) | 15 (381) | 28 (711) | 32 (813) |
| 14 (356) | 16 (406) | 29 (737) | 33 (838) |
| 15 (381) | 18 (457) | 30 (762) | 34 (864) |
| 16 (406) | 19 (483) | 31 (787) | 36 (914) |
| 17 (432) | 20 (508) | | |

Horizontal Mount

| H* | O* | H* | O* |
|----------|----------|----------|----------|
| 3 (76) | 5 (127) | 19 (483) | 22 (559) |
| 4 (102) | 6 (152) | 20 (508) | 23 (584) |
| 5 (127) | 7 (178) | 21 (533) | 24 (610) |
| 6 (152) | 8 (203) | 22 (559) | 26 (660) |
| 7 (178) | 9 (229) | 23 (584) | 27 (686) |
| 8 (203) | 10 (254) | 24 (610) | 28 (711) |
| 9 (229) | 11 (279) | 25 (635) | 29 (737) |
| 10 (254) | 12 (305) | 26 (660) | 30 (762) |
| 11 (279) | 13 (330) | 27 (686) | 31 (787) |
| 12 (305) | 14 (356) | 28 (711) | 31 (787) |
| 13 (330) | 15 (381) | 29 (737) | 32 (813) |
| 14 (356) | 16 (406) | 30 (762) | 33 (838) |
| 15 (381) | 18 (457) | 31 (787) | 34 (864) |
| 16 (406) | 19 (483) | 32 (813) | 35 (889) |
| 17 (432) | 20 (508) | 33 (838) | 36 (914) |
| 18 (457) | 21 (533) | | |

* These dimensions are furnished approximately 1/4 in. (6mm) undersize..



Greenheck India: 541/542, 5th Floor, Tower-B3 Spaze • Tech Park Sector-49, Sohna Road, Gurgaon • www.greenheck.co.in
Tel: 124-4272494 • Fax: 011-91-124-4711263