

Application

Model DFD-150 is approved for use in walls, floors, and partitions with fire resistance ratings less than 3 hours. This model carries a 1 1/2 hour UL fire damper label. UL555 classifies dynamic rated fire damper for use in HVAC systems that are operational in the event of fire.

Ratings

UL555 Fire Resistance Rating

Fire Rating: 1½ hours

Dynamic Closure Rating

Maximum Velocity: 4000 fpm (20.3 m/s) vertical mount only, up to 24 in. x 24 in. (610mm x 610mm); 2000 fpm (10.2 m/s) vertical or horizontal mount all sizes.

Maximum Pressure: 4 in. wg (1 kPa)

Construction	Standard	Optional
Frame Material	Galvanized Steel*	-
Frame Depth	3 11/16 in. (94mm)	-
Blade Material	Galvanized steel*	-
Closure Spring	Stainless Steel	-
Fusible Link	165°F (74°C)	212°F (100°C)
Mounting	Vertical	Horizontal

* in gauges required by UL listing R13317

Optional Features

- One piece retaining angles (POC)
- Transitions (A, B)

Model DFD-150 meets the requirements for fire damper established by:

National Fire Protection Association

(NFPA Standards 80, 90A, & 101)

IBC International Building Codes

California State Fire Marshall

(Listing # 3225-981:102)

New York City

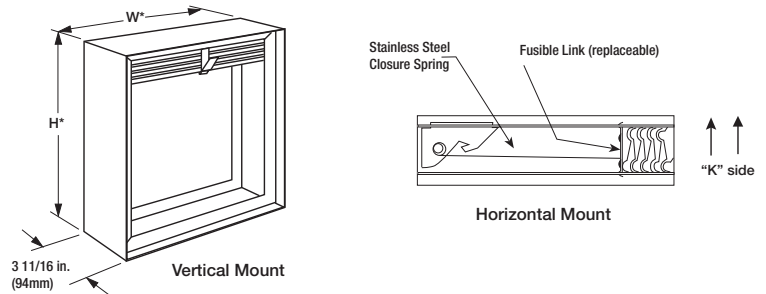
(MEA listing #260-91-M)

“UL Classified (see complete marking on product)”

“UL Classified to Canadian Safety Standards (see complete marking on product)”

Standard 555 (Listing # R13317)

FM Approvals
SPECIFICATION TESTED PRODUCT
(OPTION)



* These dimensions are furnished approximately 1/4 in. (6mm) undersize.

Factory Sleeve Option

All fire damper installations require the use of sleeves, angles and methods described in the installation instructions. Sleeves can be field fabricated or factory furnished as a completed damper/sleeve assembly.

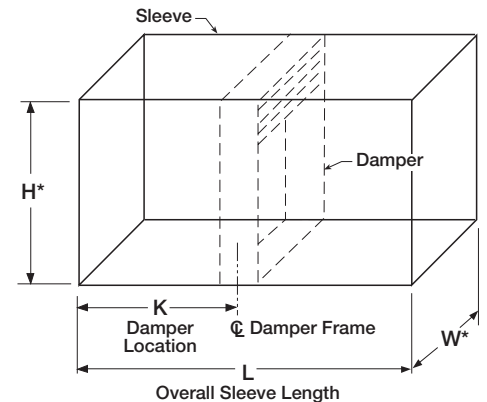
Sleeves are galvanized steel and are available in 20 ga. (1mm) thicknesses and lengths up to 19.6 in. (500mm).

“K” dimension specifies location of damper within the sleeve.

Minimum is 4 in. (102mm), maximum is

“L” less 4 in. (102mm), which allows for mounting angle installation, and duct connection at each end of the sleeve. If “K” dimension is not specified, it will be provided as one half of “L” dimension (damper centered in sleeve).

Note: If using access doors, the door should be installed on the “K” side of the damper.



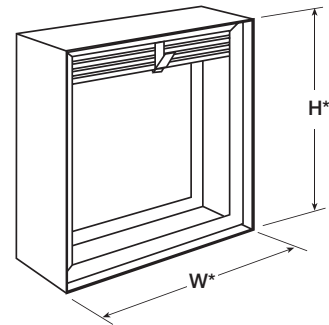
Type A & B

DFD-150

Dampers larger than maximum single section sizes are supplied in 2 or more sections of equal size. If ordered with a factory sleeve, multi-section dampers are factory assembled ready for installation. If ordered without a factory sleeve, multi-section dampers require field assembly. (see Greenheck Fire Damper Installation Instructions (#452763)).

Size Limitations

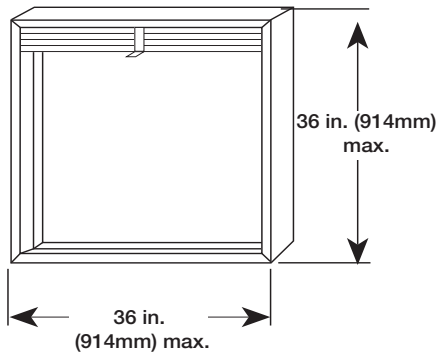
Inches (mm)	Type A		Type B	
	Minimum	Maximum	Minimum	Maximum
Single Section Vertical	4 x 4 (102 x 102)	36 x 36 (914 x 914)	4 x 3 (102 x 76)	36 x 31 (914 x 787)
Multi Section** Vertical	NA	72 x 48 (1829 x 1219), 60 x 60 (1524 x 1524) or 120 x 30 (3048 x 762)	NA	72 x 45 (1829 x 1143), 60 x 56 (1524 x 1422) or 120 x 26 (3048 x 660)
Single Section Horizontal	4 x 4 (102 x 102)	30 x 30 (762 x 762)	4 x 3 (102 x 76)	30 x 26 (762 x 762)
Multi Section** Horizontal	NA	48 x 36 (1219 x 914)	NA	48 x 33 (1219 x 838)



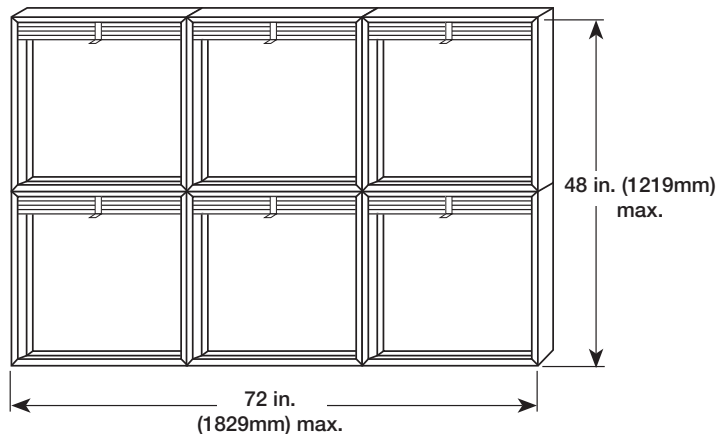
Type A

Multi-Section Limitations - Type A

Maximum damper height is 48 in. (1219mm) when combination width is 72 in. (1829mm) or less.

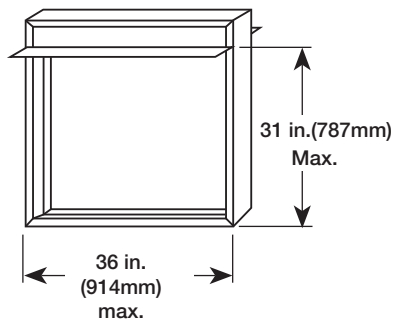


Type A Single Section

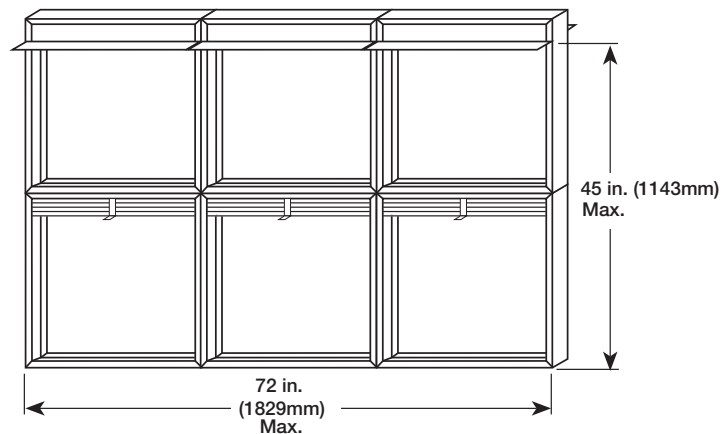


Multi Section Limitations - Type B

Maximum damper height is 45 in. (1143mm) when combination width is 72 in. (1829mm) or less.



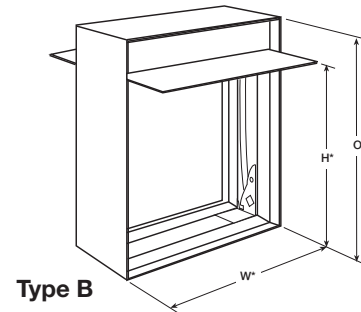
Type B Single Section



Vertical Mount

H*	O*	H*	O*
3 (76)	5 (127)	30 (762)	34 (864)
4 (102)	6 (152)	31 (787)	36 (914)
5 (127)	7 (178)	32 (813)	37 (940)
6 (152)	8 (203)	33 (838)	37 (940)
7 (178)	9 (229)	34 (864)	37 (940)
8 (203)	10 (254)	35 (889)	38 (965)
9 (229)	11 (279)	36 (914)	39 (991)
10 (254)	12 (305)	37 (940)	40 (1016)
11 (279)	13 (330)	38 (965)	41 (1041)
12 (305)	14 (356)	39 (991)	42 (1067)
13 (330)	15 (381)	40 (1016)	43 (1092)
14 (356)	16 (406)	41 (1041)	44 (1118)
15 (381)	18 (457)	42 (1067)	45 (1143)
16 (406)	19 (483)	43 (1092)	46 (1168)
17 (432)	20 (508)	44 (1118)	47 (1194)
18 (457)	21 (533)	45 (1143)	48 (1219)
19 (483)	22 (559)	46 (1168)	50 (1270)
20 (508)	23 (584)	47 (1194)	51 (1295)
21 (533)	24 (610)	48 (1219)	52 (1321)
22 (559)	26 (660)	49 (1245)	53 (1346)
23 (584)	27 (686)	50 (1270)	54 (1372)
24 (610)	28 (711)	51 (1295)	55 (1397)
25 (635)	29 (737)	52 (1321)	56 (1422)
26 (660)	30 (762)	53 (1346)	57 (1448)
27 (686)	31 (787)	54 (1372)	58 (1473)
28 (711)	32 (813)	55 (1397)	59 (1499)
29 (737)	33 (838)	56 (1422)	60 (1524)

Type B Overall Damper Dimensions



Horizontal Mount

H*	O*	H*	O*
3 (76)	5 (127)	19 (483)	22 (559)
4 (102)	6 (152)	20 (508)	23 (584)
5 (127)	7 (178)	21 (533)	24 (610)
6 (152)	8 (203)	22 (559)	26 (660)
7 (178)	9 (229)	23 (584)	27 (686)
8 (203)	10 (254)	24 (610)	28 (711)
9 (229)	11 (279)	25 (635)	29 (737)
10 (254)	12 (305)	26 (660)	30 (762)
11 (279)	13 (330)	27 (686)	31 (787)
12 (305)	14 (356)	28 (711)	31 (787)
13 (330)	15 (381)	29 (737)	32 (813)
14 (356)	16 (406)	30 (762)	33 (838)
15 (381)	18 (457)	31 (787)	34 (864)
16 (406)	19 (483)	32 (813)	35 (889)
17 (432)	20 (508)	33 (838)	36 (914)
18 (457)	21 (533)	-	-

* Dimension is inches (mm). These dimensions are furnished approximately 1/4 in. (6mm) undersize. All 'H' dimensions larger than single section height are two sections high. Refer to size limitations chart. The top section is a Type B and the bottom section are Type A.



Greenheck India: 541/542, 5th Floor, Tower-B3 Space • Tech Park Sector-49, Sohna Road, Gurgaon • www.greenheck.co.in
Tel: 124-4272494 • Fax: 011-91-124-4711263